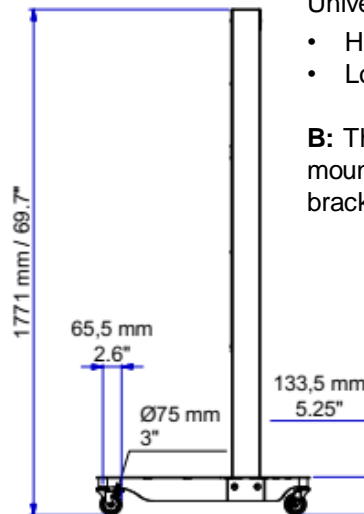
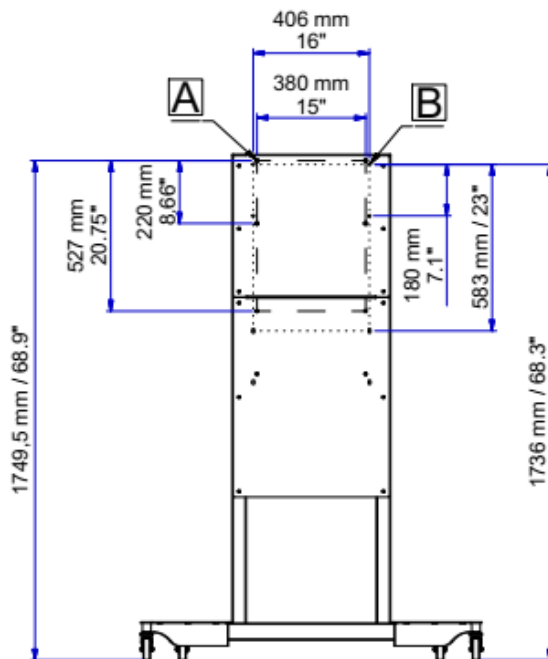
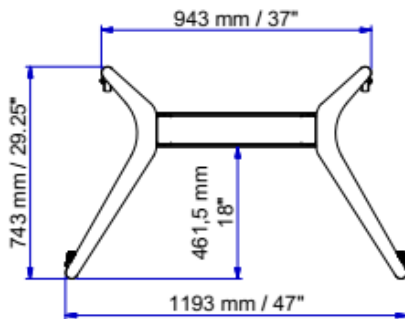


The Mobile Stand Mix® can be used in two different ways:

- In combination with the BalanceBox® 400 Height Adjustable Mount (to make your touchscreen dynamic height adjustable), or:
- Mounted directly on the stand (fixed height) with our Universal VESA Bracket (481A70)

The Mobile Stand Mix® is suitable for panels up to 86" diagonal.

Dimensions:



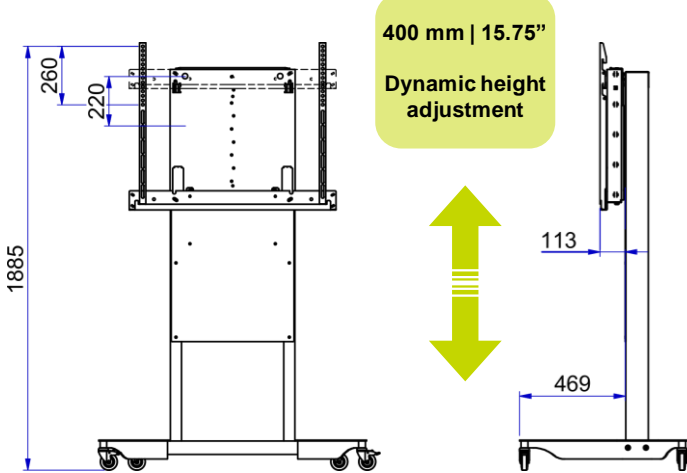
A: The Mobile Stand Mix® has 2 mounting positions for the BalanceBox® 400 or the Universal VESA Bracket:

- Higher position: use with adults;
- Lower position: use with children.

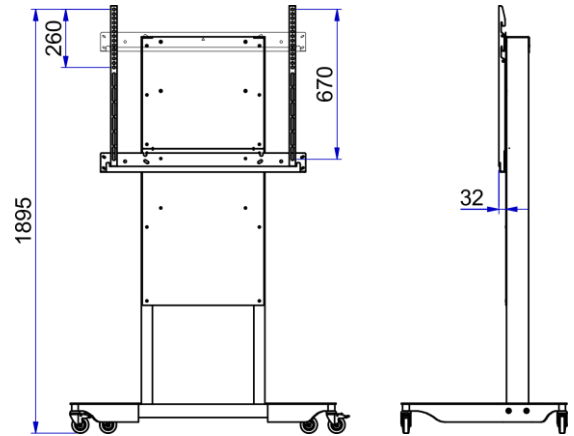
B: The Mobile Stand Mix® also has 2 mounting positions for a 3rd party VESA bracket.

Article Number	Product Description
481A71001	Mobile Stand Mix® for BalanceBox® 400 Height Adjustable Mount, with 4 x Ø 75 mm / 3" steel casters (2x with brake)
480A1x	BalanceBox® 400 Height Adjustable Mount
481A70	Universal VESA Bracket
481A73	Laptop/Keyboard Tray for Mobile Stand Mix® (front or back mounted)
481A81	Wheels Upgrade for Mobile Stand Mix®: 4 x Ø 100 mm / 4" thermoplastic casters, black (2x with brake)

Dimensions:



Dimensions:




Height Adjustable Solution:

- + Mobile Stand Mix® | 481A71001
- + BalanceBox® 400 | 480A1x*
- + Universal VESA Bracket | 481A70*
- * not included

Fixed Height Solution:

- + Mobile Stand Mix® | 481A71001
- + Universal VESA Bracket | 481A70*
- * not included

	Product Specifications		Shipping Dimensions	
Height	1771 mm	69.72 inch	1769 mm	69.6 inch
Width	1193 mm	46.97 inch	629 mm	24.7 inch
Depth	743 mm	29.25 inch	139 mm	5.5 inch
Weight	38,5 kg	84.8 lbs	44,5 kg	98.1 lbs
Load Capacity	125 kg	275.5 lbs	12 units per pallet	
Material	Steel, Powder coated, Black RAL 9005 Textured			
Certification	<ul style="list-style-type: none"> • CE and UL Recognized • UL 60950-1, Information Technology Equipment – Safety – Part 1: General Requirements, CAN/CSA C22.2 No. 60950-1-07) 			



Mobile Stand Mix®
Front View



Mobile Stand Mix®
Back View



Laptop/Keyboard Tray
Back Mounted



Laptop/Keyboard Tray
Front Mounted*
* Only with panel at fixed height