

BT8432

FLAT SCREEN WALL MOUNT WITH TILT FOR SCREENS UP TO 80"

Designed to mount large to extra-large screens, the BT8432 is a flat screen wall mount with a unique 'Torsion-Tilt' mechanism, allowing easy screen tilt adjustment up to +/-15°. Also suitable for pole mounting using B-Tech's Accessory Collars, the BT8432 features levelling screws to adjust the screen level post installation as well as locking screws which help prevent unauthorised removal of the screen.

SPECIFICATIONS

Recommended screen size	up to 80"
Max load	70kg*
VESA® & non-VESA fixings	up to 677 x 400mm
Tilt	+/-15°
Distance from wall (flat)	81mm
Distance from wall (full tilt)	138mm

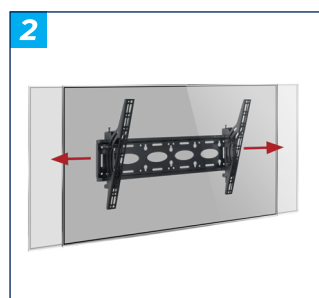
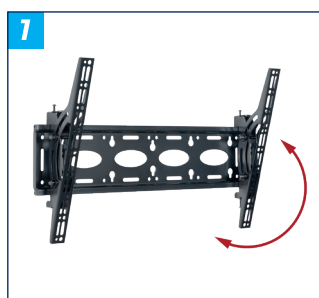


FEATURES

- 1** Unique 'Torsion-tilt' mechanism for easy tool-less adjustment
- 2** Lateral adjustment of the screen once mounted
- 3** Levelling screws allow adjustment of screen height
- 4** Security locking screws and Allen key to prevent unauthorised removal
- Keyhole mounting for easy installation
- Collar compatible, ideal for pole mounting
- Simple 'hook-on' installation with all mounting hardware included

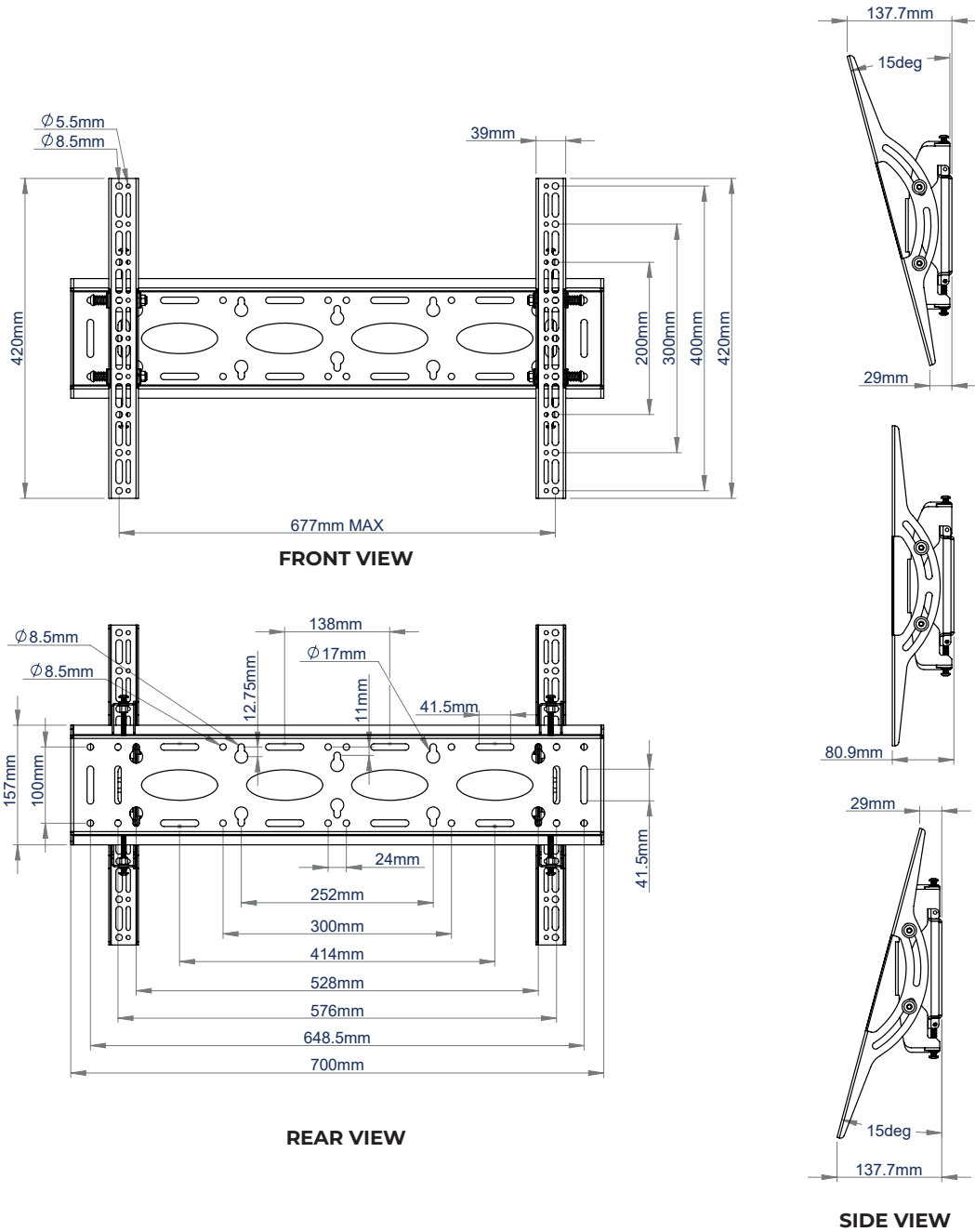


RECOMMENDED MAX SCREEN	MAX LOAD	MAX VESA	TILT	POST INSTALL ALIGNMENT	COLLAR COMPATIBLE	QR CODE
80" 203cm	70kg	600 x 400	15° 15°	← →	⊕ ⊖	



*Please note the maximum load is reduced to 50kg when pole mounted

BT8432



ORDERING INFORMATION

COLOUR	ORDER REF	EAN
Black	BT8432/B	5019318084294

RELATED PRODUCTS

PRODUCT CODE	NAME	DESCRIPTION
BT7822	System 2 Ceiling / Floor Mount	Designed to mount a BT7850 $\varnothing 50\text{mm}$ pole from the ceiling or floor
BT7850	System 2 $\varnothing 50\text{mm}$ Poles	Available in a variety of lengths to create multiple pole-mounted solutions
BT7841	System 2 Accessory Collar	Accessory Collars allow the user to attach a variety of mounts to $\varnothing 50\text{mm}$ Poles
BT8442	Flat Screen Wall Mount	Alternative mounting solution for screens up to 80" when tilt function is not required

© 2018 B-Tech AV Mounts Co. Ltd. All rights reserved.
 The information in this specification is subject to change without notice. This is not a contract. B-Tech AV Mounts Co. Ltd. is not responsible for any loss or damage caused by improper installation or mounting on unsuitable structures. Any reproduction or use of information or specification of any part of this specification is strictly prohibited unless prior written permission is granted by B-Tech AV Mounts Co. Ltd. 180618

SS-BT8432-060124